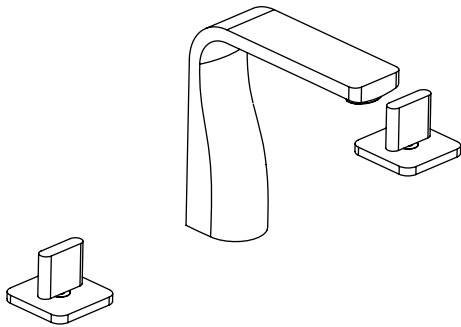


**260.2000 | 8" Widespread 3-Hole Faucet**



**SPECIFICATIONS:**

- Solid Brass construction
- Three Hole Installation
- 1.5 GPM Flow Rate @ 60 PSI (1.2 GPM For California)
- Ceramic disc cartridge allows volume control

**FAST SHIP FINISHES :**

- Chrome - 260.2000CP, Brushed Nickel - 260.2000BN

**STANDARDS:**

- ASME A112.18.1 / CSA B125.1, NSF-61



LowFlow Capable



Legislation Compliance



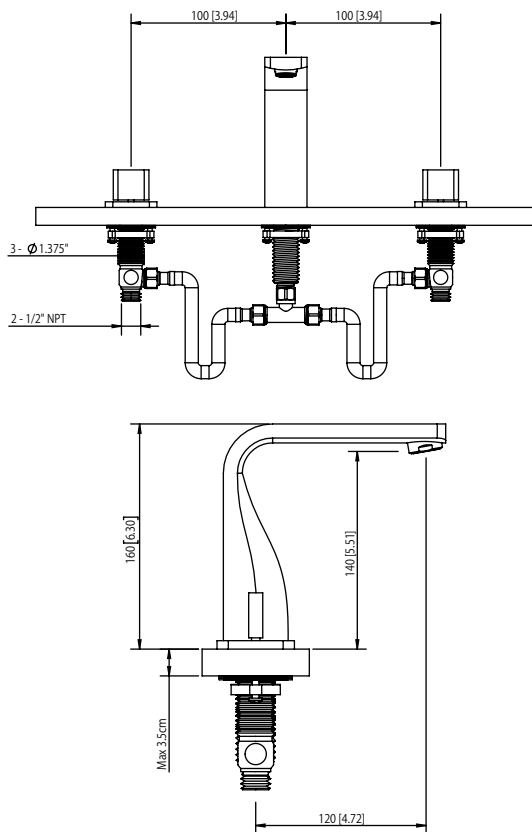
Low Lead Compliant



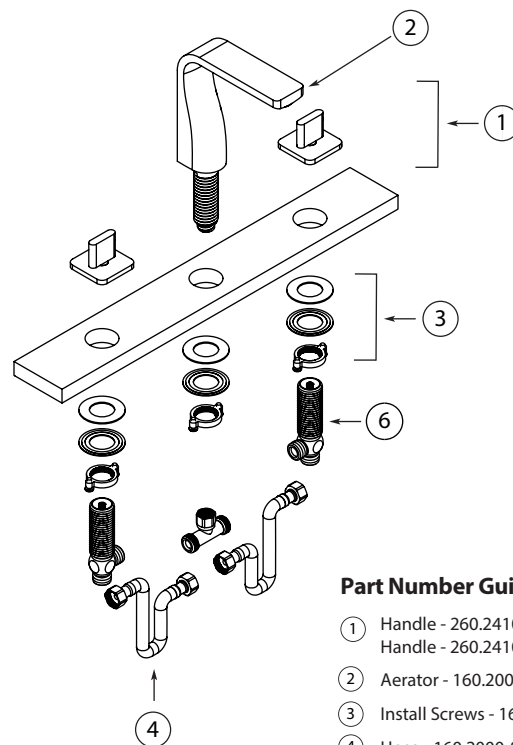
ZeroDrip Technology



**Technical Diagram**



**Exploded View**



**Part Number Guide:**

- ① Handle - 260.2410-2352CP - Chrome  
Handle - 260.2410-2352BN - Brushed Nickel
- ② Aerator - 160.2000-2364
- ③ Install Screws - 160.2000-2581
- ④ Hose - 160.2000-8738
- ⑤ Cartridge - 160.2400-18000 (Hot)  
Cartridge - 160.2400-18001 (Cold)
- ⑥ Spare Hot Valve - 24206  
Spare Cold Valve - 24207