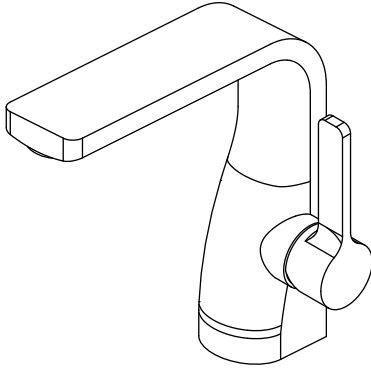


260.1000 | Single Hole Faucet



**SPECIFICATIONS:**

- Solid Brass construction
- Single Hole Installation
- 1.5 GPM Flow Rate @ 60 PSI (1.2 GPM For California)
- Ceramic disc cartridge allows both volume and temperature control

**FAST SHIP FINISHES :**

- Chrome - 260.1000CP, Brushed Nickel - 260.1000BN

**STANDARDS:**

- ASME A112.18.1 / CSA B125.1, NSF-61

LowFlow Capable



Legislation Compliance



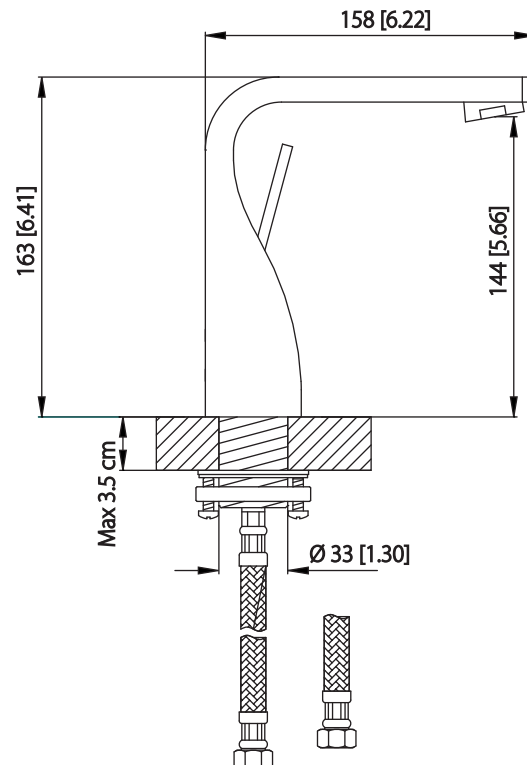
Low Lead Compliant



ZeroDrip Technology



**Technical Diagram**



**Part Number Guide:**

- ① Handle - 260.1000-2352CP - Chrome  
- 260.1000-2352BN - Brushed Nickel
- ② Aerator - 160.1000-2364
- ③ Install Screw Set - 160.1000-2581
- ④ 3/8" Hose - 100.1000-8738
- ⑤ Cartridge - 260.1000-9853