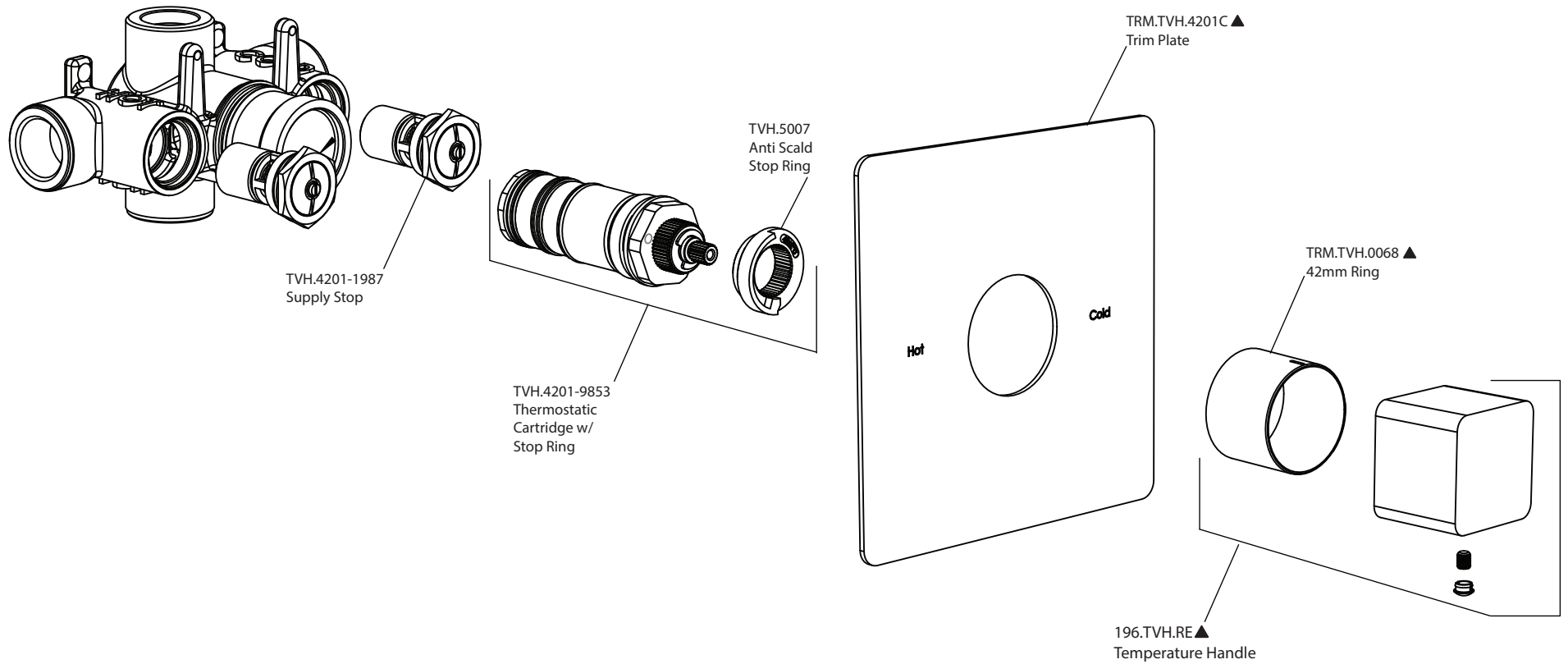


Product Parts Breakdown



isenberg
innovation+design

196.4201